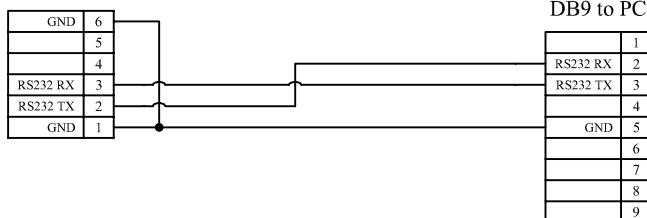
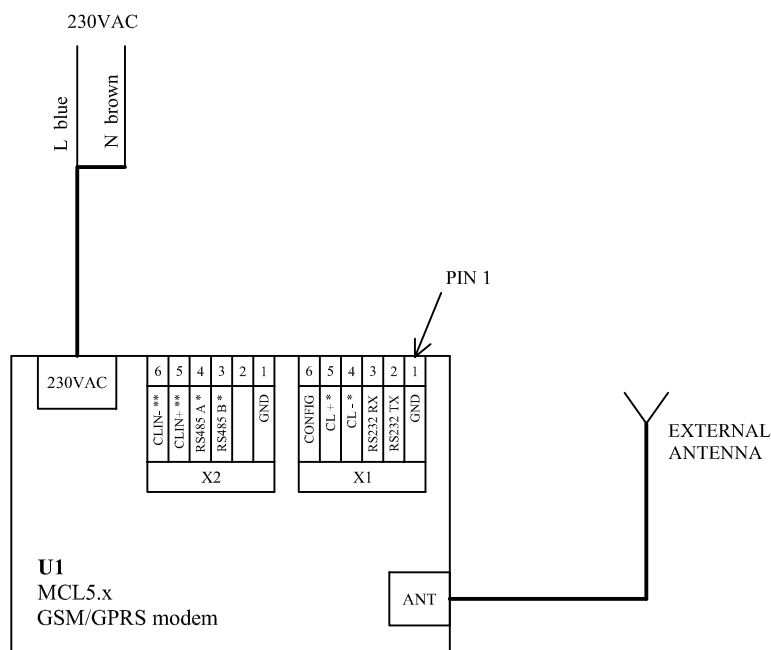


## RS232 Configuration Cable

"X1" RJ25 to MCL5.x



## MCL 5.x connector pinouts



**Notes:**

- 1) This connection diagram applies for MCL 5.0, MCL 5.5, MCL 5.8 modems.
- 2) \* CL (Current Loop) and RS485 interfaces are optional. It depends on the controller modification.
- 3) \*\* CLIN (Passive Current Loop) interface is optional. It depends on the controller modification.

ELGAMA SISTEMOS Ltd  
 Visoriu 2 Vilnius, Lithuania  
 Ph. +370 52375017, Fax. +370 52375018  
 info@elgsis.lt, www.elgsis.eu

Drawing

**MCL5.x Configuration cable**

Revision

1